



JAPAN

PRICE LIST

Version 2.0

Date November 2018



INFORMATION	3
<hr/>	
UPHOLSTERY GROUPS	4
<hr/>	
ELIZABETH CHAIR	5
<hr/>	
THE SEAL	6–9
<hr/>	
THE PENGUIN	10–13
<hr/>	
ODA CHAIR	14–15
<hr/>	
RADIOHUS SOFA	16–17
<hr/>	
PAGODE SOFA	18
<hr/>	
TABLE IN A JAR	19
<hr/>	
PACKAGE SIZE/WEIGHT	20
<hr/>	
TERMS	21
<hr/>	

INFORMATION



Prices

Previous price lists are hereby canceled. All listed prices are recommended retail prices in JPY excluding VAT.

Delivery

4-8 weeks ex-factory from receipt of a final order. Changes may occur up to 1 week after ordering. By changing the order a new delivery time will be given.

Complaints

Any complaints must be notified in writing or telephone within 8 days after receipt of goods. Returns may be made only after approval by Brdr. Petersens Polstermøbelfabrik Aps and only in original packaging. Brdr. Petersens Polstermøbelfabrik Aps reserve the right to reject goods if it is not adequately packaged.

Transportation Damage

Any transport damage must be communicated directly to the carrier upon receipt but no later 7 days from receipt of the goods and in writing to the forwarder. If in doubt make a note on the freight document that the goods are received with reservation.

Warranty

There is a 5 year warranty against manufacturing defects in materials and construction. Wear and damage to covers, visible woodwork and alike is not covered by warranty.

Other

All furniture is handmade, so there may be slight differences in sizes as well as small design and structural alterations.

All our furniture is made from quality natural wood and accordingly appearances may vary. The wood we use is hardwood from Danish suppliers. The furniture are made in Oak and Walnut. Other wood sorts also on request.

Brdr. Petersens Polstermøbelfabrik Aps makes reservations for typing errors and price changes.

UPHOLSTERY GROUPS



FABRIC

GROUP	NAME	MANUFACTURER
A	Tonica	Kvadrat
A	Tonus 3	Kvadrat
B	Hallingdal 65	Kvadrat
B	Steelcut 2	Kvadrat
B	Steelcut Trio 2	Kvadrat
C	Blans	Kjellerup Væveri
C	Color	Kjellerup Væveri
C	Divina 3	Kvadrat
C	Divina MD	Kvadrat
C	Divina Melange 2	Kvadrat
C	Rami	Svensson
C	Remix 2	Kvadrat
D	Balder 3	Kvadrat
D	Outback	Kvadrat
D	Ria	Kvadrat
D	Sunniva 2	Kvadrat
D	Vidar 3	Kvadrat

LEATHER

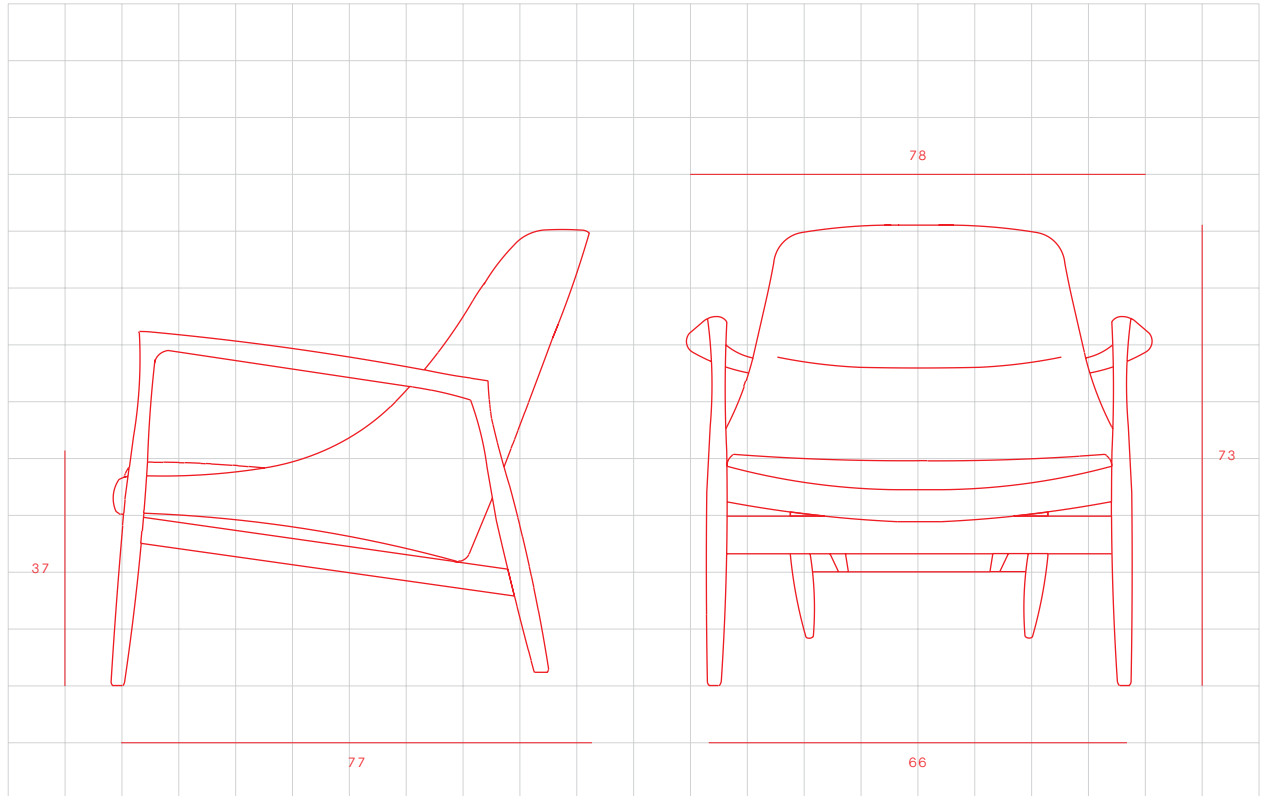
A	Dunes	Sørensen
A	Prestige	Sørensen
B	Vacona	Camo
C	Elegance	Sørensen
C	Vegetal	Stolz

1956

ELIZABETH CHAIR



Designer	Ib Kofod-Larsen, 1956	Weight	25 kg
Dimensions	W78xD77xH73 cm. Seat height 37 cm	Materials	Oak and Walnut



All dimensions in centimeters

JPY

FABRIC (3,25 M)	COM	A	B	C	D
Oak, Untreated	1.116.000	1.136.000	1.147.000	1.157.000	1.170.000
Oak, Soap	1.126.000	1.146.000	1.157.000	1.167.000	1.180.000
Oak, Oil	1.136.000	1.156.000	1.167.000	1.177.000	1.190.000
Oak, White Oil	1.146.000	1.166.000	1.177.000	1.187.000	1.200.000
Walnut, Oil	1.189.000	1.209.000	1.220.000	1.230.000	1.243.000
Teak, Oil	1.389.000	1.409.000	1.420.000	1.430.000	1.443.000

LEATHER (5,0 M ²)	COM	A	B	C	
Oak, Untreated	1.172.000	1.194.000	1.217.000	1.300.000	
Oak, Soap	1.182.000	1.204.000	1.227.000	1.310.000	
Oak, Oil	1.192.000	1.214.000	1.237.000	1.320.000	
Oak, White Oil	1.202.000	1.224.000	1.247.000	1.330.000	
Walnut, Oil	1.245.000	1.267.000	1.290.000	1.373.000	
Teak, Oil	1.445.000	1.467.000	1.490.000	1.573.000	

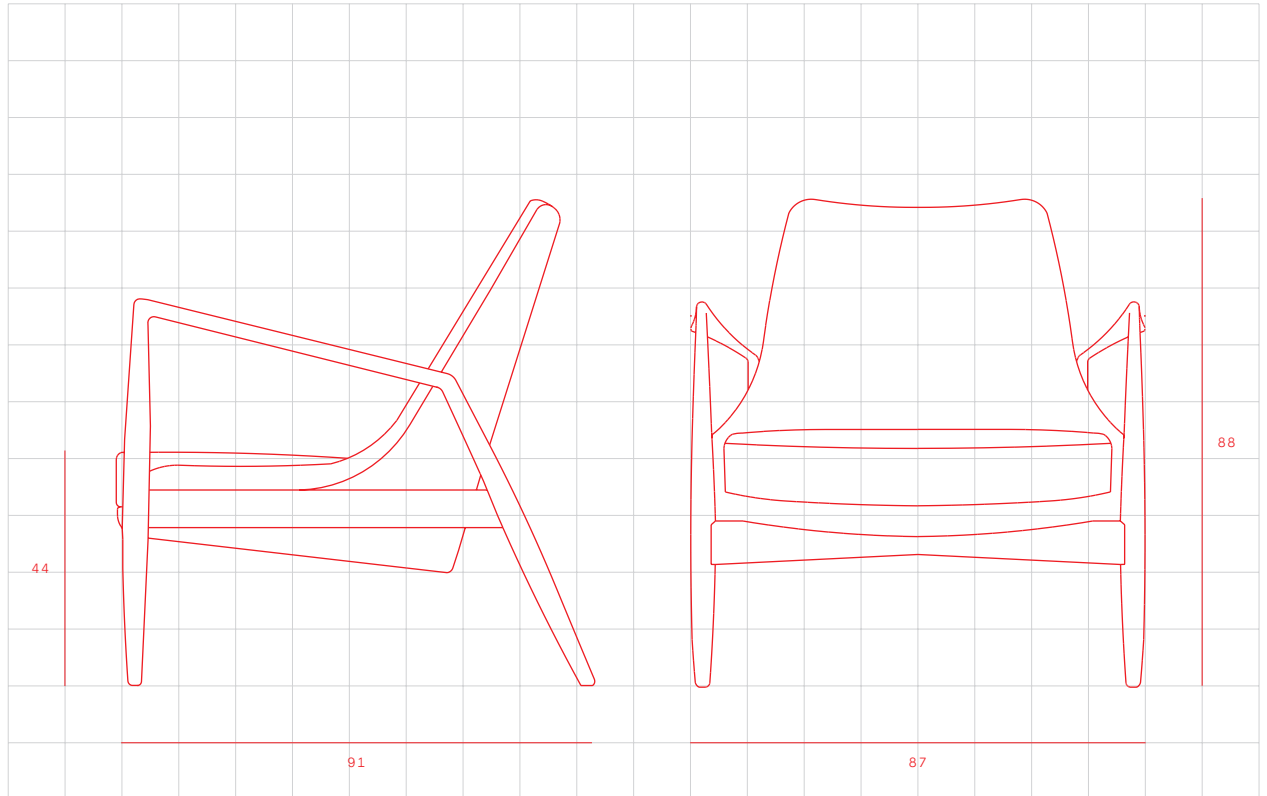
EXTRA An extra charge will be calculated for piping in different color/type than body

1956

THE SEAL LOW BACK CHAIR



Designer	Ib Kofod-Larsen, 1956	Weight	28 kg
Dimensions	W87xD91xH88 cm. Seat height 44 cm	Materials	Oak and Walnut



All dimensions in centimeters

JPY

FABRIC (3,25 M)	COM	A	B	C	D
Oak, Untreated	966.000	985.000	997.000	1.007.000	1.019.000
Oak, Soap	987.000	1.006.000	1.018.000	1.028.000	1.040.000
Oak, Oil	1.008.000	1.027.000	1.039.000	1.049.000	1.061.000
Oak, White Oil	1.029.000	1.048.000	1.060.000	1.070.000	1.082.000
Walnut, Oil	1.080.000	1.100.000	1.112.000	1.123.000	1.132.000
Teak, Oil	1.209.000	1.229.000	1.241.000	1.252.000	1.261.000

LEATHER (5,0 M ²)	COM	A	B	C	
Oak, Untreated	1.020.000	1.042.000	1.065.000	1.148.000	
Oak, Soap	1.041.000	1.063.000	1.086.000	1.169.000	
Oak, Oil	1.062.000	1.084.000	1.107.000	1.190.000	
Oak, White Oil	1.083.000	1.105.000	1.128.000	1.211.000	
Walnut, Oil	1.137.000	1.160.000	1.185.000	1.272.000	
Teak, Oil	1.266.000	1.289.000	1.314.000	1.401.000	

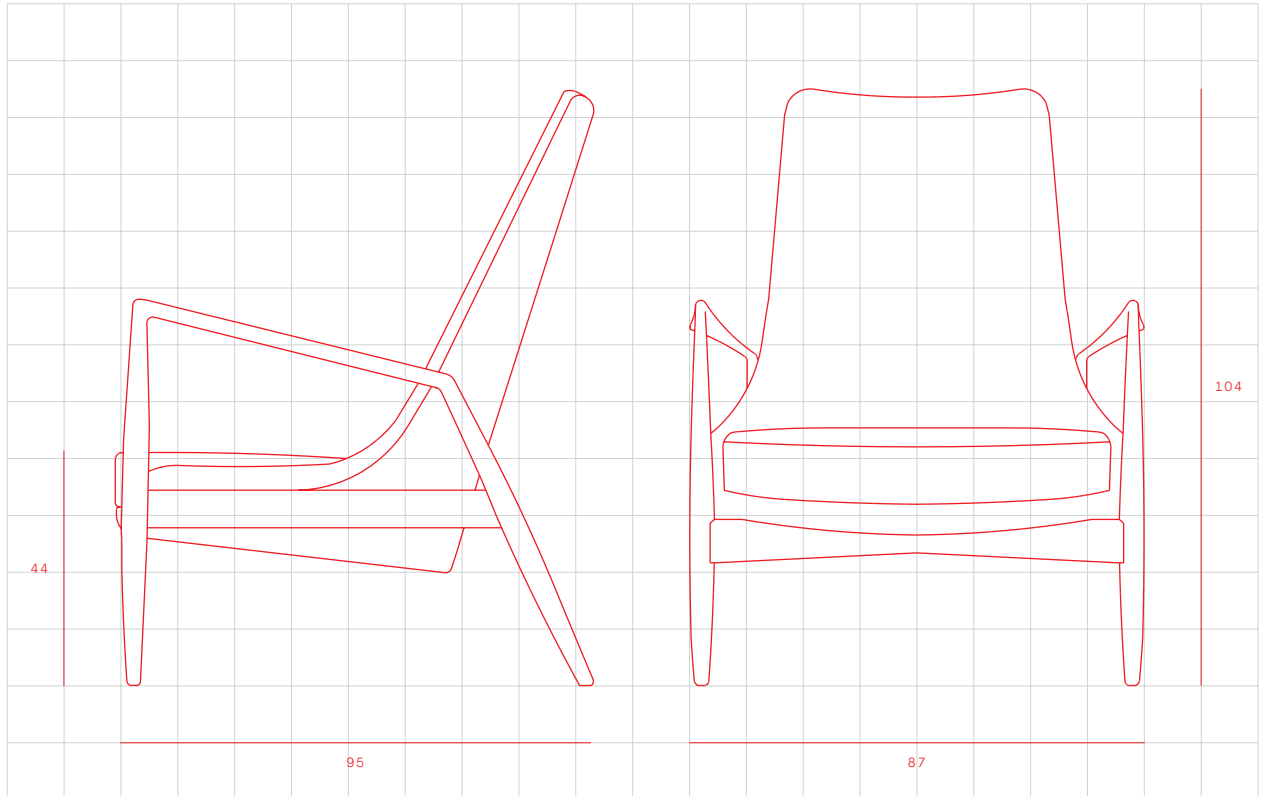
EXTRA An extra charge will be calculated for piping in different color/type than body

1956

THE SEAL HIGH BACK CHAIR



Designer	Ib Kofod-Larsen, 1956	Weight	31 kg
Dimensions	W87xD95xH104 cm. Seat height 44 cm	Materials	Oak and Walnut



All dimensions in centimeters

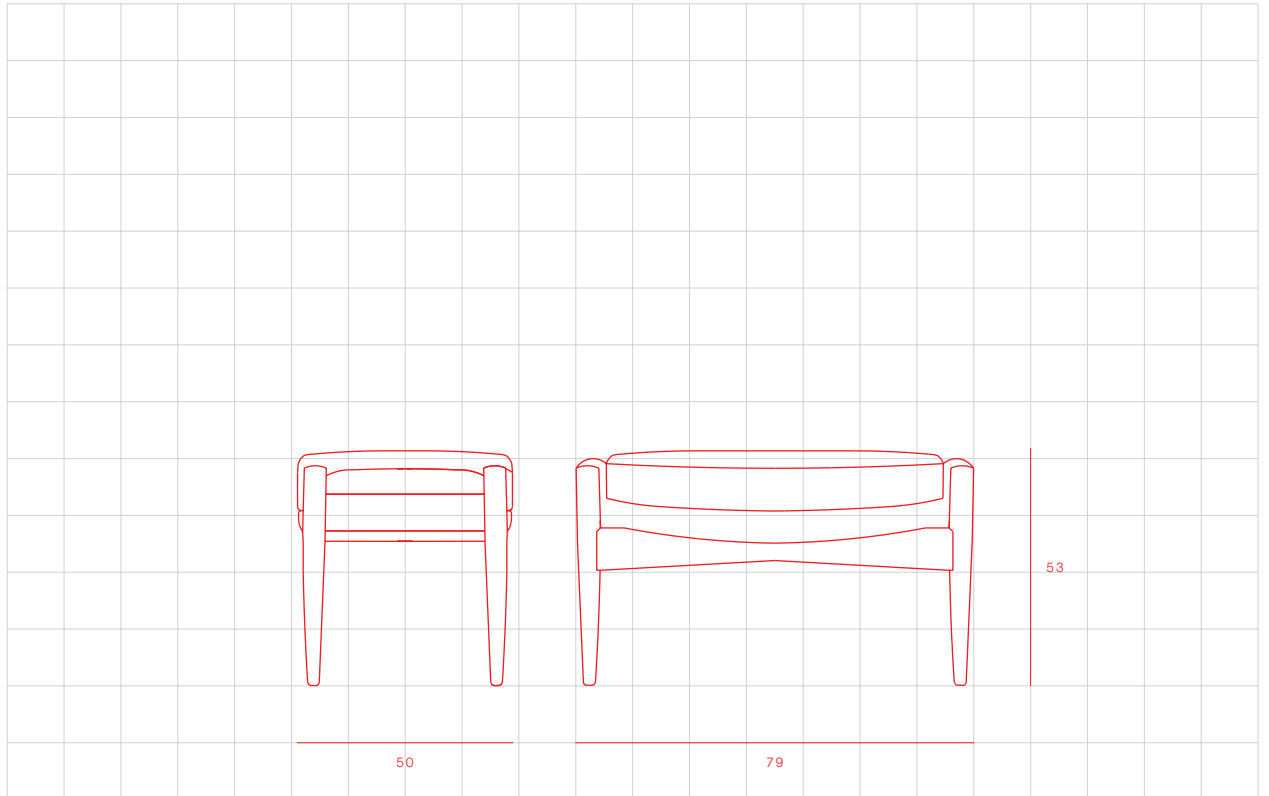
JPY

FABRIC (3,5 M)	COM	A	B	C	D
Oak, Untreated	989.000	1.012.000	1.024.000	1.035.000	1.048.000
Oak, Soap	1.010.000	1.033.000	1.045.000	1.056.000	1.069.000
Oak, Oil	1.031.000	1.054.000	1.066.000	1.077.000	1.090.000
Oak, White Oil	1.052.000	1.075.000	1.087.000	1.098.000	1.111.000
Walnut, Oil	1.104.000	1.128.000	1.141.000	1.153.000	1.163.000
Teak, Oil	1.233.000	1.257.000	1.270.000	1.282.000	1.292.000

LEATHER (5,5 M ²)	COM	A	B	C	
Oak, Untreated	1.050.000	1.076.000	1.101.000	1.190.000	
Oak, Soap	1.071.000	1.097.000	1.122.000	1.211.000	
Oak, Oil	1.092.000	1.118.000	1.143.000	1.232.000	
Oak, White Oil	1.113.000	1.139.000	1.164.000	1.253.000	
Walnut, Oil	1.169.000	1.196.000	1.222.000	1.317.000	
Teak, Oil	1.298.000	1.325.000	1.351.000	1.446.000	

EXTRA An extra charge will be calculated for piping in different color/type than body

Designer	Ib Kofod-Larsen, 1956	Weight	15 kg
Dimensions	W79xD50xH53 cm	Materials	Oak and Walnut



All dimensions in centimeters

JPY

FABRIC (1,2 M)	COM	A	B	C	D
Oak, Untreated	265.000	274.000	279.000	282.000	286.000
Oak, Soap	274.000	283.000	288.000	291.000	295.000
Oak, Oil	283.000	292.000	297.000	300.000	304.000
Oak, White Oil	292.000	301.000	306.000	309.000	313.000
Walnut, Oil	315.000	325.000	330.000	334.000	337.000
Teak, Oil	380.000	390.000	394.000	398.000	402.000

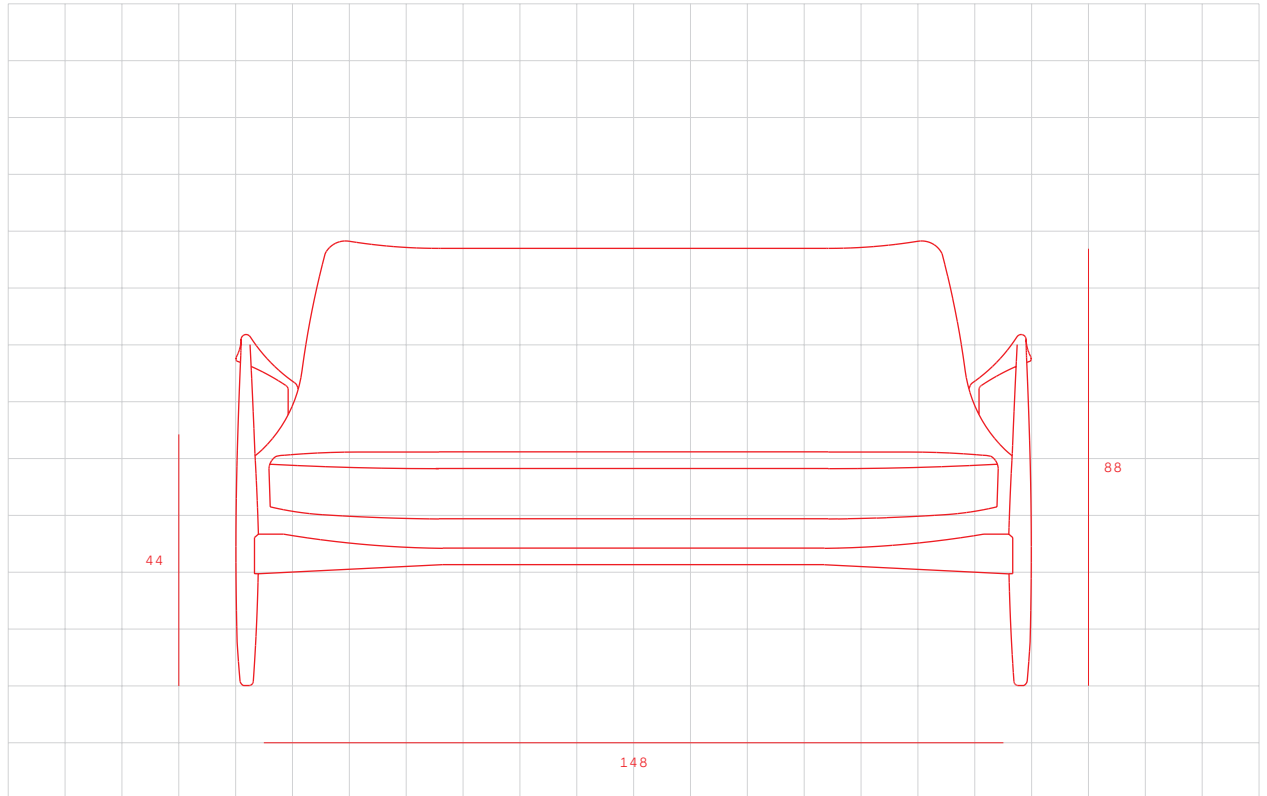
LEATHER (1,2 M ²)	COM	A	B	C	
Oak, Untreated	270.000	283.000	288.000	321.000	
Oak, Soap	279.000	292.000	297.000	330.000	
Oak, Oil	288.000	301.000	306.000	339.000	
Oak, White Oil	297.000	310.000	315.000	348.000	
Walnut, Oil	321.000	334.000	340.000	374.000	
Teak, Oil	385.000	399.000	405.000	438.000	

1956

THE SEAL SOFA



Designer	Ib Kofod-Larsen, 1956	Weight	40 kg
Dimensions	W148xD91xH88 cm. Seat height 44 cm	Materials	Oak and Walnut



All dimensions in centimeters

JPY

FABRIC (4,5 M)	COM	A	B	C	D
Oak, Untreated	1.320.000	1.349.000	1.365.000	1.379.000	1.396.000
Oak, Soap	1.341.000	1.370.000	1.386.000	1.400.000	1.417.000
Oak, Oil	1.362.000	1.391.000	1.407.000	1.421.000	1.438.000
Oak, White Oil	1.383.000	1.412.000	1.428.000	1.442.000	1.459.000
Walnut, Oil	1.459.000	1.489.000	1.506.000	1.521.000	1.534.000
Teak, Oil	1.620.000	1.650.000	1.667.000	1.682.000	1.695.000

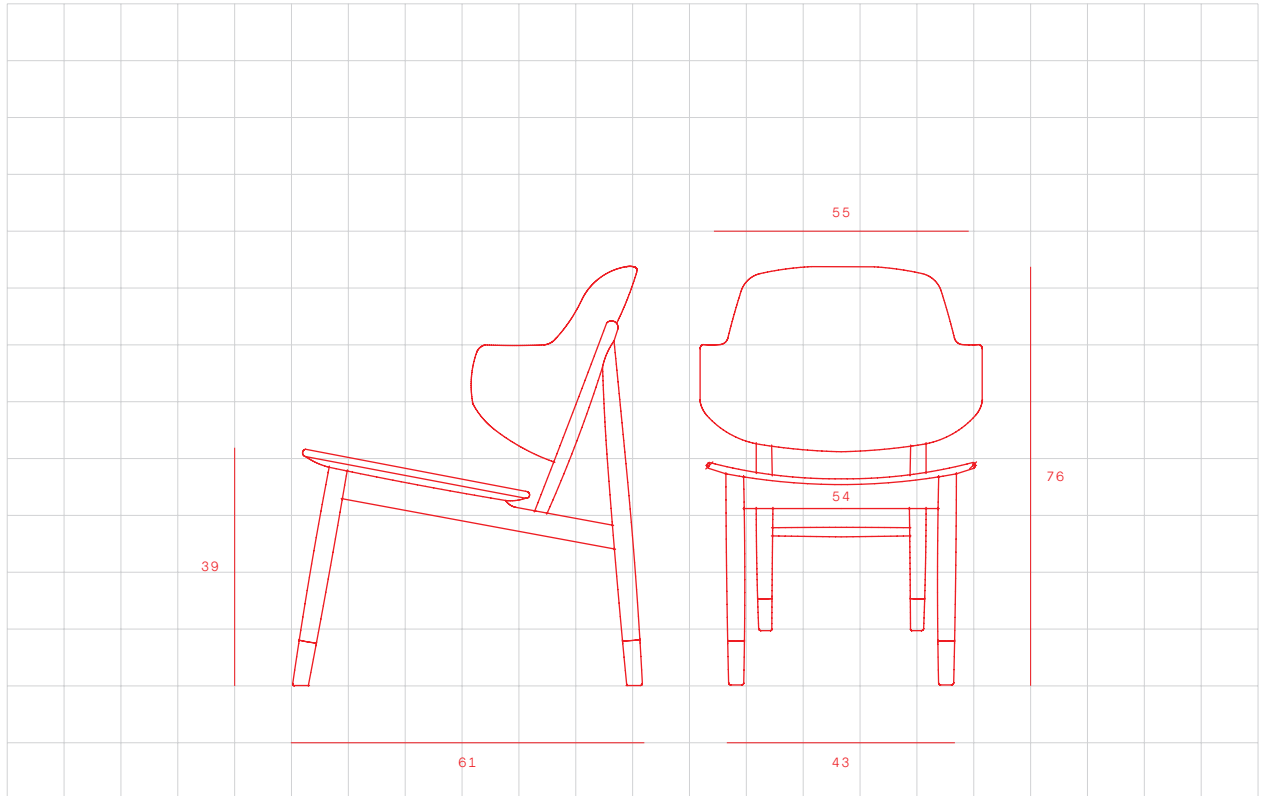
LEATHER (7,0 M ²)	COM	A	B	C	
Oak, Untreated	1.397.000	1.429.000	1.461.000	1.578.000	
Oak, Soap	1.418.000	1.450.000	1.482.000	1.599.000	
Oak, Oil	1.439.000	1.471.000	1.503.000	1.620.000	
Oak, White Oil	1.460.000	1.492.000	1.524.000	1.641.000	
Walnut, Oil	1.541.000	1.575.000	1.609.000	1.731.000	
Teak, Oil	1.670.000	1.704.000	1.738.000	1.860.000	

1953

PENGUIN WOOD



Designer	Ib Kofod-Larsen, 1953	Weight	12 kg
Dimensions	W55xD61xH76 cm. Seat height 39 cm	Materials	Oak, Walnut and Teak



All dimensions in centimeters

JPY

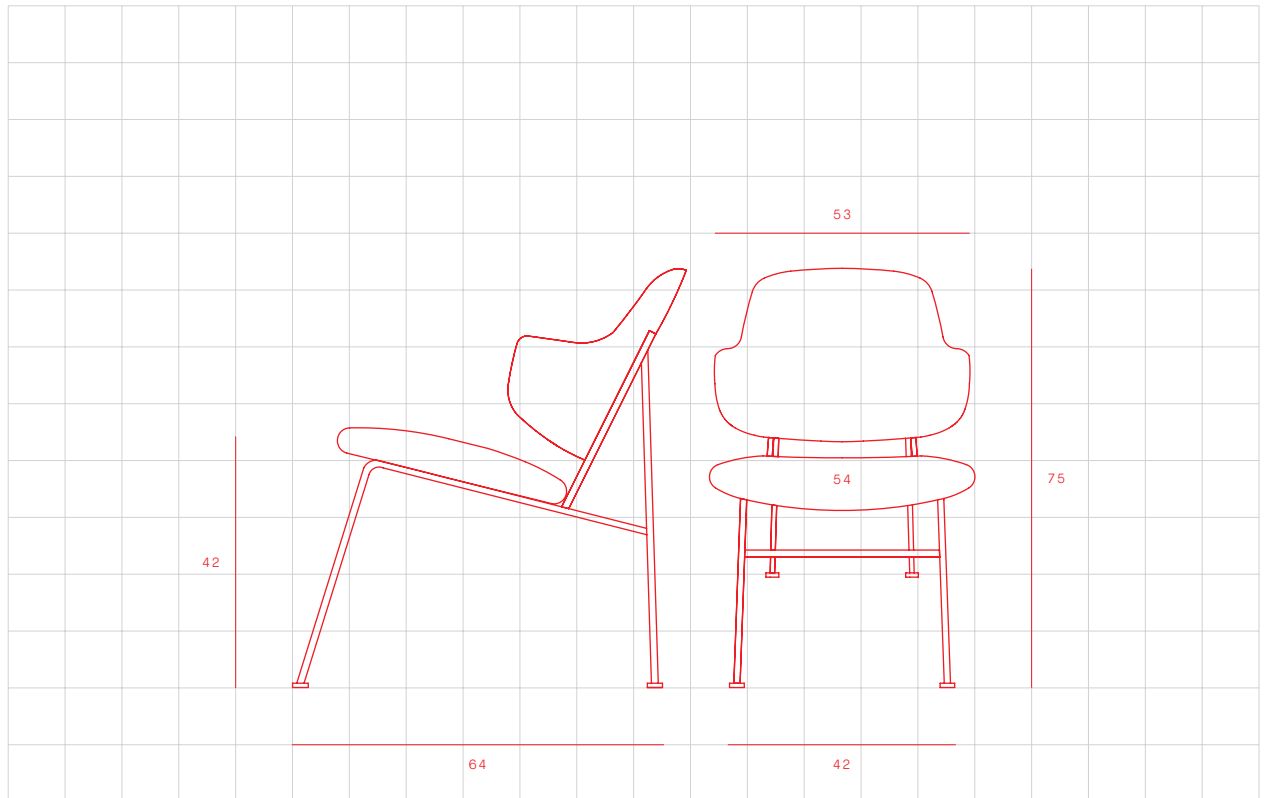
ALL WOOD					
Oiled Oak, Walnut	206.000				
FABRIC (0,3 M)					
	COM	A	B	C	D
Oiled Oak, Walnut	239.000	244.000	248.000	249.000	250.000
LEATHER (0,5 M²)					
	COM	A	B	C	
Oiled Oak, Walnut	243.000	250.000	254.000	272.000	

1953

PENGUIN LOUNGE CHAIR



Designer	Ib Kofod-Larsen, 1953	Weight	15 kg
Dimensions	W53xD64xH75 cm. Seat height 42 cm	Materials	Oak, Walnut and Teak



All dimensions in centimeters

JPY

FABRIC (0,3 M)	COM	A	B	C	D
Oak, Untreated	215.000	219.000	221.000	222.000	224.000
Oak, Soap	220.000	224.000	226.000	227.000	229.000
Oak, Oil	225.000	229.000	231.000	232.000	234.000
Oak, White Oil	230.000	234.000	236.000	237.000	239.000
Walnut, Oil	239.000	244.000	248.000	249.000	250.000
Teak, Oil	251.000	256.000	260.000	258.000	262.000

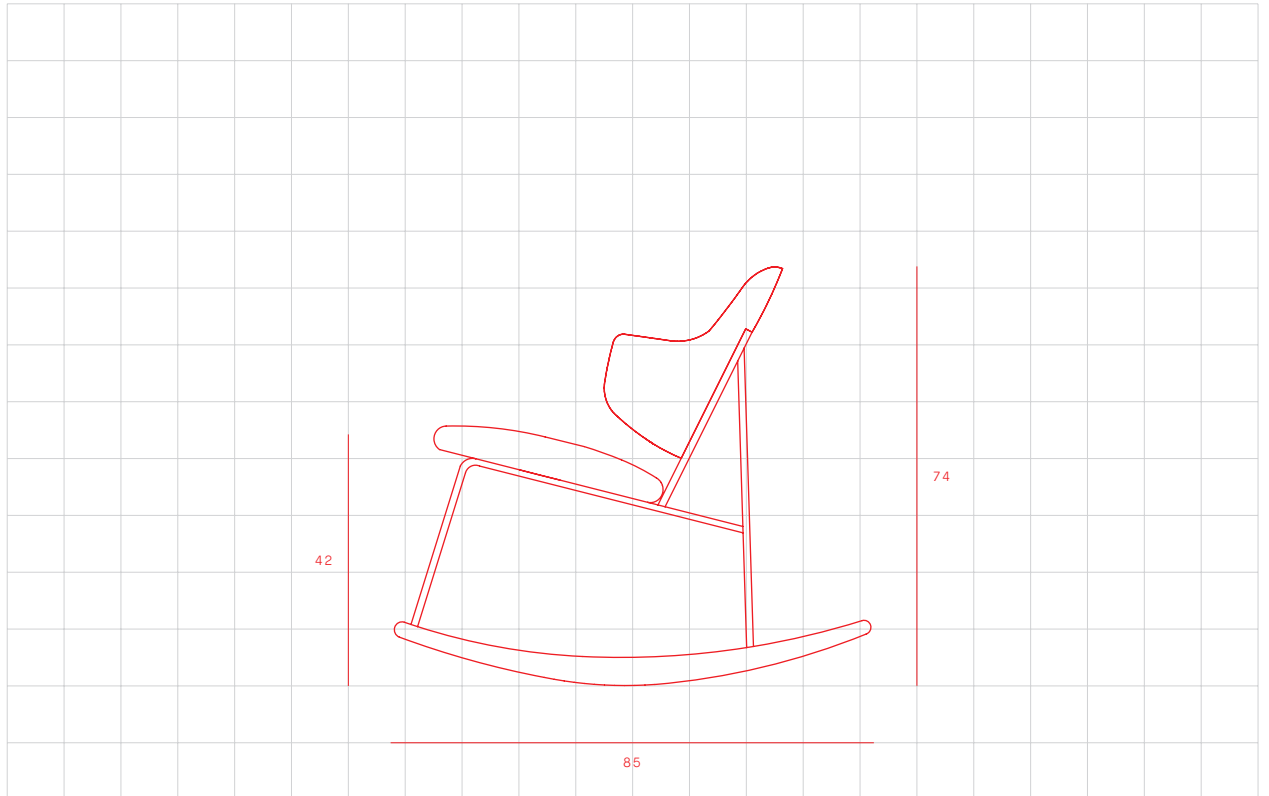
LEATHER (0,5 M ²)	COM	A	B	C	
Oak, Untreated	218.000	225.000	227.000	243.000	
Oak, Soap	223.000	230.000	232.000	248.000	
Oak, Oil	228.000	235.000	237.000	253.000	
Oak, White Oil	233.000	240.000	242.000	258.000	
Walnut, Oil	243.000	250.000	254.000	272.000	
Teak, Oil	255.000	261.000	266.000	281.000	

1953

THE PENGUIN ROCKING CHAIR



Designer	Ib Kofod-Larsen, 1953	Weight	16 kg
Dimensions	W53xD85xH74 cm. Seat height 42 cm	Materials	Oak, Walnut and Teak



All dimensions in centimeters

JPY

FABRIC (0,3 M)	COM	A	B	C	D
Oak, Untreated	250.000	255.000	256.000	257.000	259.000
Oak, Soap	255.000	260.000	261.000	262.000	264.000
Oak, Oil	260.000	265.000	266.000	267.000	269.000
Oak, White Oil	265.000	270.000	271.000	272.000	274.000
Walnut, Oil	276.000	281.000	285.000	287.000	288.000
Teak, Oil	289.000	294.000	298.000	296.000	300.000

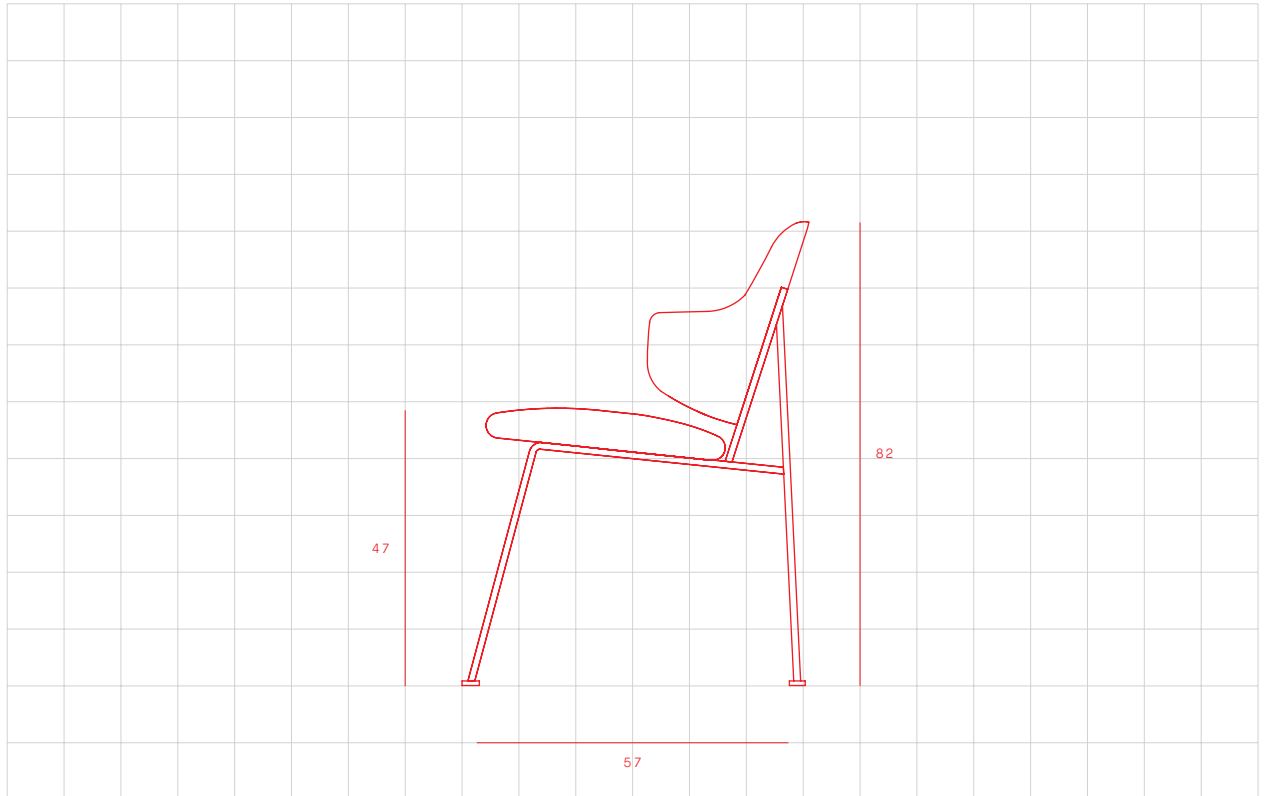
LEATHER (0,5 M ²)	COM	A	B	C	
Oak, Untreated	254.000	260.000	262.000	279.000	
Oak, Soap	259.000	265.000	267.000	284.000	
Oak, Oil	264.000	270.000	272.000	289.000	
Oak, White Oil	269.000	275.000	277.000	294.000	
Walnut, Oil	280.000	287.000	292.000	309.000	
Teak, Oil	293.000	299.000	305.000	319.000	

1953

THE PENGUIN DINING CHAIR



Designer	Ib Kofod-Larsen, 1953	Weight	15 kg
Dimensions	W53xD57xH82 cm. Seat height 47 cm	Materials	Oak, Walnut and Teak



All dimensions in centimeters

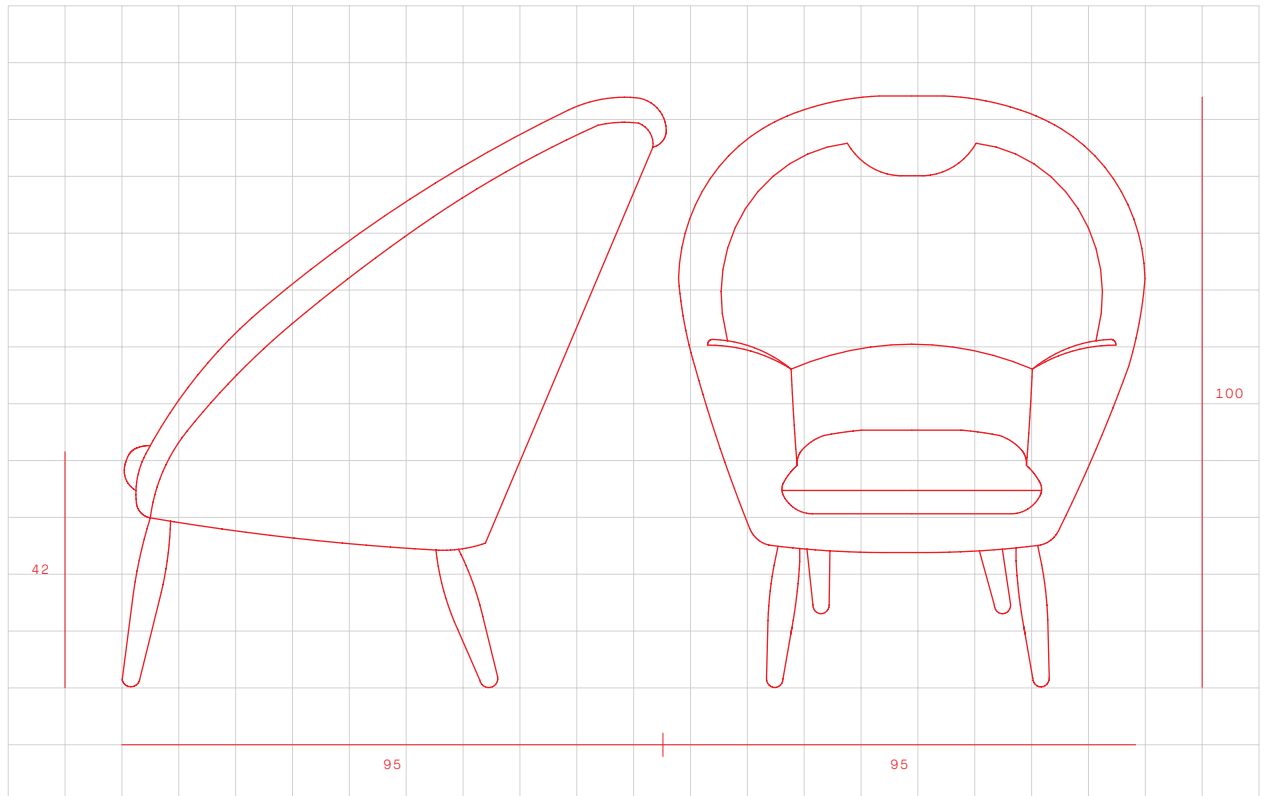
JPY

FABRIC (0,3 M)	COM	A	B	C	D
Oak, Untreated	215.000	219.000	221.000	222.000	224.000
Oak, Soap	220.000	224.000	226.000	227.000	229.000
Oak, Oil	225.000	229.000	231.000	232.000	234.000
Oak, White Oil	230.000	234.000	236.000	237.000	239.000
Walnut, Oil	239.000	244.000	248.000	249.000	250.000
Teak, Oil	251.000	256.000	260.000	258.000	262.000

LEATHER (0,5 M ²)	COM	A	B	C	
Oak, Untreated	218.000	225.000	227.000	243.000	
Oak, Soap	223.000	230.000	232.000	248.000	
Oak, Oil	228.000	235.000	237.000	253.000	
Oak, White Oil	233.000	240.000	242.000	258.000	
Walnut, Oil	243.000	250.000	254.000	272.000	
Teak, Oil	255.000	261.000	266.000	281.000	

EXTRA Fully upholstered 80000 JPY extra on the lowest price in the fabric/leather group chosen

Designer	Nanna & Jørgen Ditzel, 1956	Weight	25 kg
Dimensions	W95xD95xH100 cm. Seat height 42 cm	Materials	Oak, Walnut and Teak



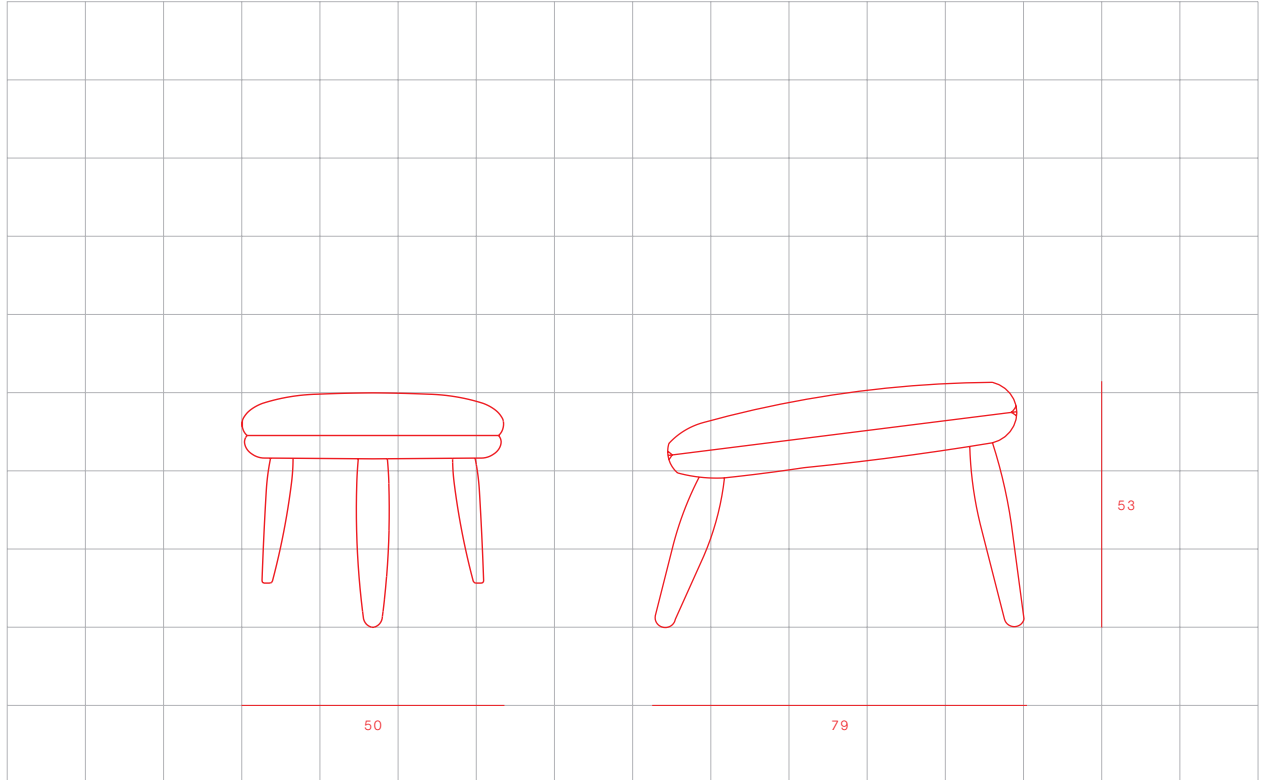
All dimensions in centimeters

JPY

FABRIC (3,55 M)	COM	A	B	C	D
Oak, Untreated	813.000	832.000	844.000	854.000	866.000
Oak, Soap	831.000	850.000	862.000	872.000	884.000
Oak, Oil	849.000	868.000	880.000	890.000	902.000
Oak, White Oil	867.000	886.000	898.000	908.000	920.000
Walnut, Oil	897.000	917.000	930.000	940.000	950.000
Teak, Oil	936.000	956.000	969.000	970.000	989.000

LEATHER (6,4 M ²)	COM	A	B	C	
Oak, Untreated	894.000	917.000	974.000	1.051.000	
Oak, Soap	912.000	935.000	992.000	1.069.000	
Oak, Oil	930.000	953.000	1.010.000	1.087.000	
Oak, White Oil	948.000	971.000	1.028.000	1.105.000	
Walnut, Oil	983.000	1.007.000	1.067.000	1.148.000	
Teak, Oil	1.023.000	1.047.000	1.109.000	1.180.000	

Designer	Nanna & Jørgen Ditzel, 1956	Weight	12 kg
Dimensions	W50xD79xH53 cm	Materials	Oak, Walnut and Teak



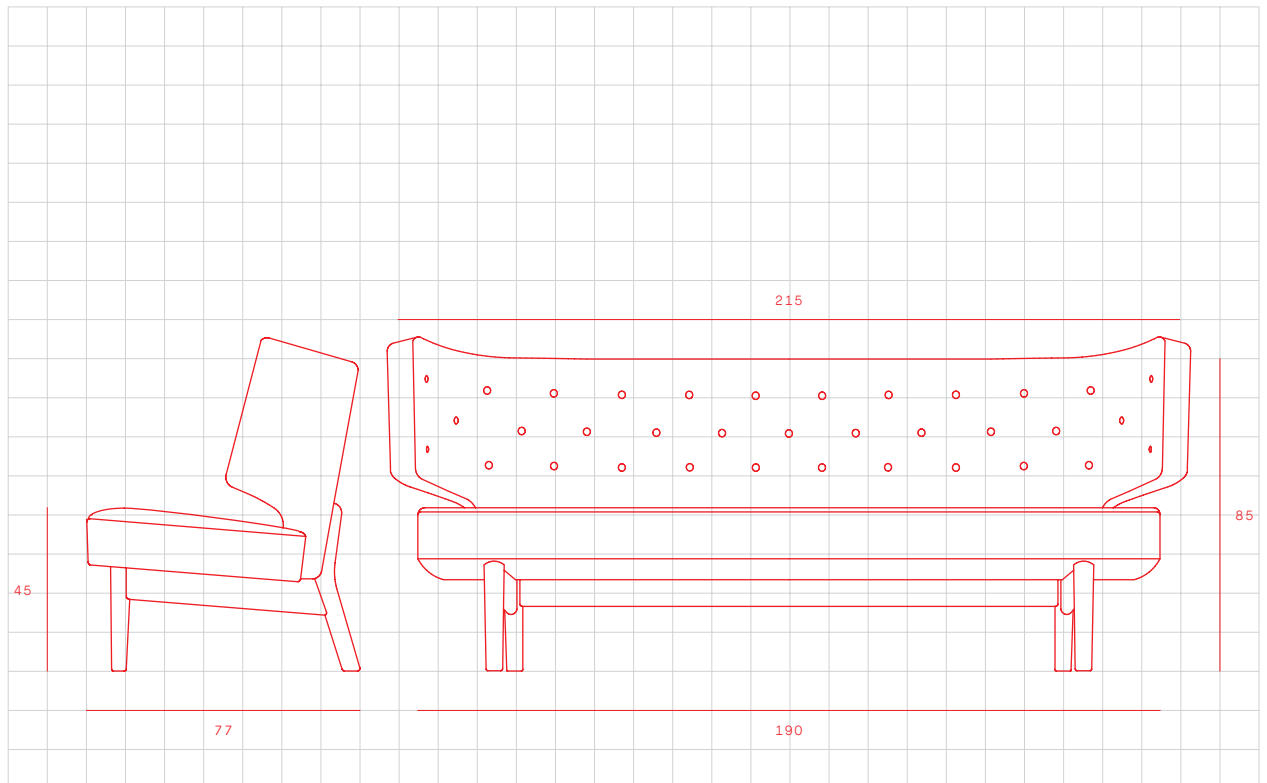
All dimensions in centimeters

JPY

FABRIC (0,7 M)	COM	A	B	C	D
Oak, Untreated	128.000	135.000	137.000	140.000	142.000
Oak, Soap	146.000	153.000	155.000	158.000	160.000
Oak, Oil	164.000	171.000	173.000	176.000	178.000
Oak, White Oil	182.000	189.000	191.000	194.000	196.000
Walnut, Oil	157.000	163.000	166.000	168.000	170.000
Teak, Oil	170.000	177.000	180.000	180.000	184.000

LEATHER (1,0 M ²)	COM	A	B	C	
Oak, Untreated	136.000	146.000	155.000	173.000	
Oak, Soap	154.000	164.000	173.000	191.000	
Oak, Oil	172.000	182.000	191.000	209.000	
Oak, White Oil	190.000	200.000	209.000	227.000	
Walnut, Oil	168.000	178.000	188.000	207.000	
Teak, Oil	182.000	192.000	202.000	220.000	

Designer	Vilhelm Lauritzen, 1936	Weight	45 kg
Dimensions	W215xD77xH85 cm. Seat height 45 cm	Materials	Oak and Walnut

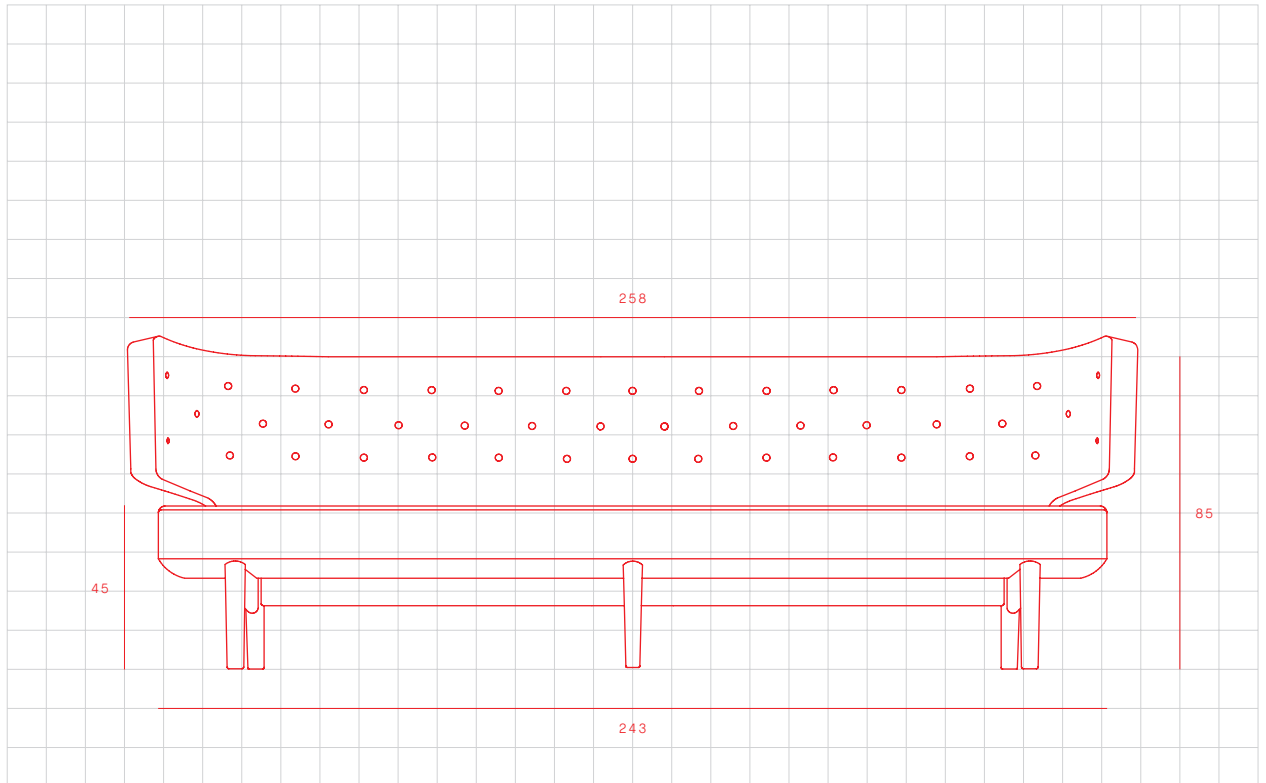


All dimensions in centimeters

JPY

FABRIC (6,10 M)	COM	A	B	C	D
Oak, Untreated	1.261.000	1.290.000	1.312.000	1.330.000	1.348.000
Oak, Soap	1.281.000	1.310.000	1.332.000	1.350.000	1.368.000
Oak, Oil	1.301.000	1.330.000	1.352.000	1.370.000	1.388.000
Oak, White Oil	1.321.000	1.350.000	1.372.000	1.390.000	1.408.000
Walnut, Oil	1.381.000	1.411.000	1.434.000	1.453.000	1.471.000
Teak, Oil	1.510.000	1.540.000	1.563.000	1.582.000	1.600.000

Designer	Vilhelm Lauritzen, 1936	Weight	55 kg
Dimensions	W258xD77xH85 cm. Seat height 45 cm	Materials	Oak and Walnut



All dimensions in centimeters

JPY

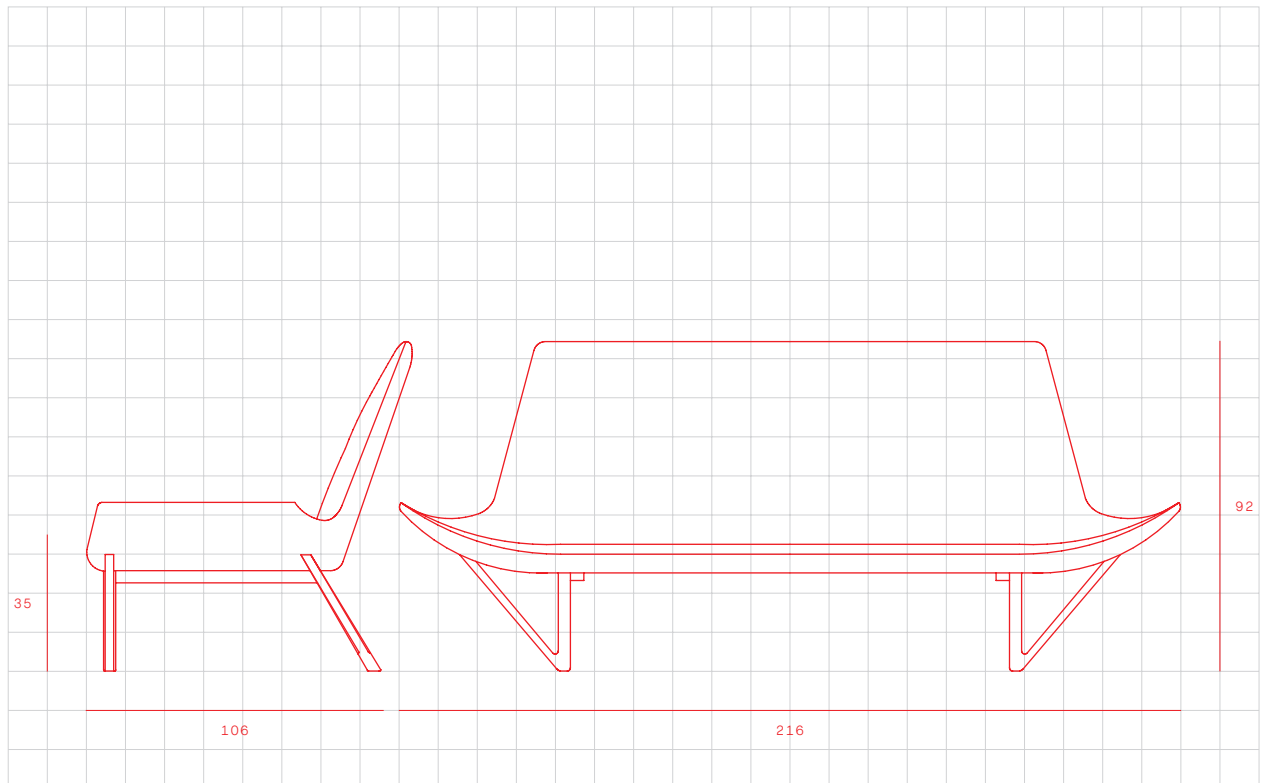
FABRIC (6,10 M)	COM	A	B	C	D
Oak, Untreated	1.516.000	1.548.000	1.573.000	1.595.000	1.614.000
Oak, Soap	1.536.000	1.568.000	1.593.000	1.615.000	1.634.000
Oak, Oil	1.556.000	1.588.000	1.613.000	1.635.000	1.654.000
Oak, White Oil	1.576.000	1.608.000	1.633.000	1.655.000	1.674.000
Walnut, Oil	1.657.000	1.690.000	1.717.000	1.739.000	1.760.000
Teak, Oil	1.818.000	1.852.000	1.878.000	1.901.000	1.921.000

1956

PAGODE SOFA



Designer	Tove & Edvard Kindt-Larsen, 1956	Weight	40 kg
Dimensions	W216xD106xH92 cm. Seat height 35 cm	Materials	Oak and Walnut



All dimensions in centimeters

JPY

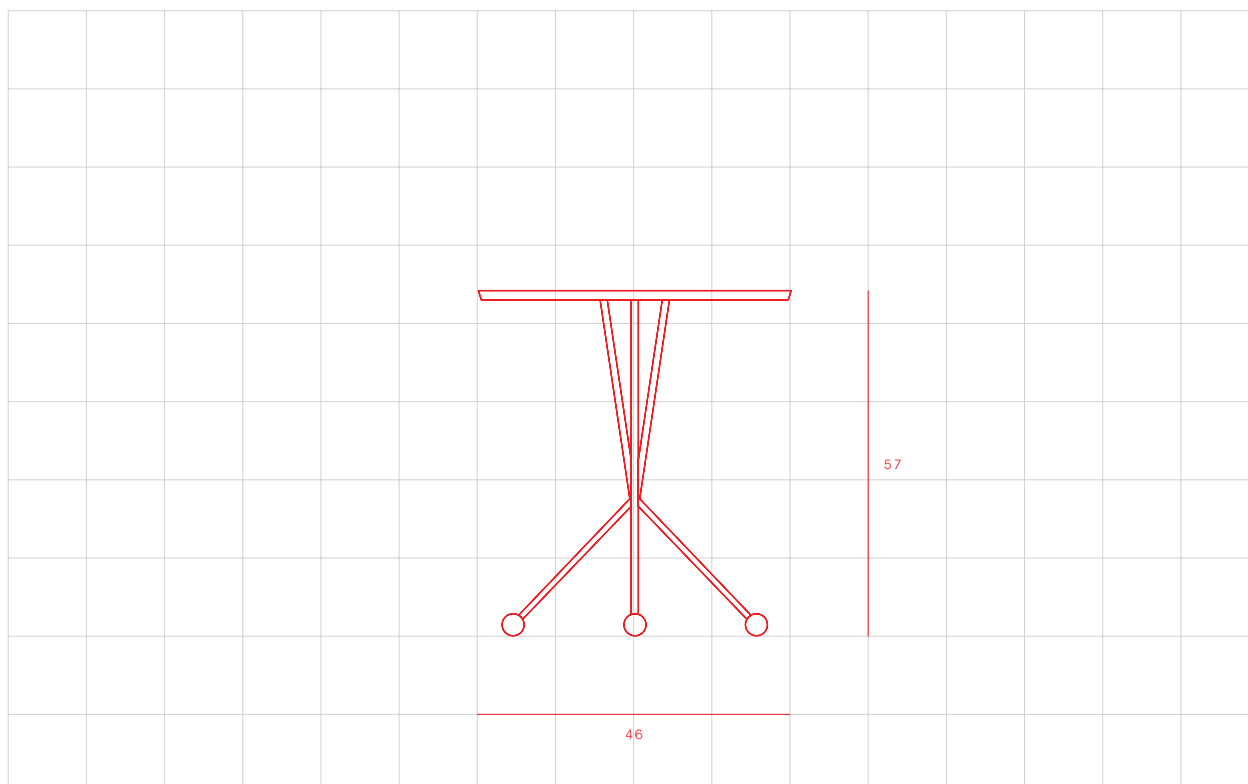
FABRIC (5,5 M)	COM	A	B	C	D
Oak, Untreated	823.000	849.000	869.000	886.000	904.000
Oak, Soap	843.000	869.000	889.000	906.000	924.000
Oak, Oil	863.000	889.000	909.000	926.000	944.000
Oak, White Oil	883.000	909.000	929.000	946.000	964.000
Walnut, Oil	913.000	940.000	961.000	979.000	995.000
Teak, Oil	978.000	1.005.000	1.026.000	1.043.000	1.060.000

1959

TABLE IN A JAR



Designer	Albert Larsson, 1959	Weight	6 kg
Dimensions	W46xD46xH57 cm	Materials	Oak, Walnut and Teak



All dimensions in centimeters

JPY

WOOD	
Oak, Untreated	96.000
Oak, Soap	100.000
Oak, Oil	104.000
Oak, White Oil	108.000
Walnut, Oil	111.000
Teak, Oil	119.000

PACKAGE SIZE/WEIGHT



MODEL	LxWxH IN CM	M ³	GROSS WEIGHT IN KG
Elizabeth Chair	87x92x85	0,68	25
The Seal Low Back Chair	87x92x85	0,68	28
The Seal High Back Chair	87x91x104	0,82	31
The Seal Sofa	148x87x88	1,13	40
The Seal Footstool	50x79x53	0,20	15
Penguin Wood	73x67x85	0,41	12
The Penguin Lounge Chair	73x67x85	0,41	15
The Penguin Rocking Chair	92x68x84	0,53	16
The Penguin Dining Chair	73x67x93	0,45	15
Oda Chair	95x97x98	0,90	25
Oda Footstool	50x79x53	0,20	12
Radio House Sofa P2	279x96x96	2,57	45
Radio House Sofa P3	279x96x96	2,57	55
Pagode Sofa	279x96x96	2,57	40
Table in a Jar	46x46x57	0,10	6

TERMS



GENERAL CONDITIONS OF SALE AND TERMS OF DELIVERY

Application

The following General Conditions of Sale and Terms of Delivery shall apply to all offers, sales and deliveries by the Vendor - also in cases where the Buyer stipulates other terms and conditions. Any deviation from the following Conditions of Sale and Terms of Delivery shall only be valid subject to the written consent of the Vendor.

Article 1: Delivery clauses

Any agreed terms of delivery shall be construed in accordance with the Incoterms applying at the time of conclusion of the contract. Where no special term of delivery has been stipulated, the delivery shall be deemed to have been made "ex works".

Article 2: Insurance

Unless otherwise agreed, the Buyer shall take out a transport insurance policy. Moreover, the Buyer shall undertake to keep the goods insured.

Article 3: Delays by Vendor

If the Vendor becomes aware that he will be unable to meet the stipulated time of delivery, or that a delay on his part is likely to occur, he shall without undue delay notify the Buyer in writing thereof stating the cause of the delay and, wherever possible, the time when delivery is likely to take place. Where a delay in delivery is due to any of the circumstances set forth in Article 9 hereof ("force majeure") or to acts or omissions on the part of the Buyer, the time of delivery shall be postponed to such an extent as is deemed to be reasonable, having regard to the circumstances. This provision shall apply whether the cause of delay occurs before or after the end of the stipulated time of delivery. The Buyer shall not be entitled to cancel the contract owing to delays in delivery attributable to the Vendor except where such delay exceeds three (3) months. The Buyer shall not be able to claim compensation owing to delays on the part of the Vendor.

Article 4: Delays by Buyer

If the Buyer becomes aware that he will not be able to take delivery of the goods by the stipulated date - or if a delay on his part is likely to occur - he shall forthwith notify the Vendor in writing, stating the cause of delay and, wherever possible, the time when receipt is likely to be able to take place. Notwithstanding that the Buyer fails to take delivery of the goods at the stipulated time, he shall make any payment contingent upon delivery as if delivery of the relevant goods had taken place. The Vendor shall make sure that the goods are stored for the Buyer's account and at the Buyer's risk. The Vendor shall at the Buyer's request insure the goods for the Buyer's account. The Vendor shall have the right to call upon the Buyer in writing to take delivery of the goods within a time-limit of fifteen (15) days. Where the Buyer fails to do so within the same time-limit for reasons that are not attributable to the Vendor, the Vendor shall be entitled to cancel the contract by notice in writing to the Buyer, for such part of the goods ready for delivery as was not taken delivery of owing to the Buyer's delay. In such case, the Vendor shall have the right to demand compensation for any loss he has incurred from the Buyer's failure to perform the contract.

Article 5: Payment etc.

Unless otherwise agreed, the purchase sum shall be payable in cash upon delivery of the goods. Where the Buyer fails to effect payment punctually, the Vendor shall be entitled to demand penal interest as from the due date at the rate of 1.5% per month or part thereof. Where the Buyer wishes to return goods delivered, such return shall be made only as per prior agreement with the Vendor. Returned goods shall be sent carriage paid. In the event of nonpayment, the Buyer (debtor) shall pay all costs of collecting and recovering the debt, inclusive of charges and fees for lawyers, debt-collection agencies etc.

Article 6: Ownership reservation (Retention of title)

The goods sold shall remain the Vendor's property until payment has been made in full.

Article 7: Defects

The Vendor agrees to make good all such defects as are the result of faulty design, material, or workmanship by carrying out repairs or replacement delivery of the goods in accordance with the following paragraphs, but the Vendor shall incur no liability to pay compensation as a result of such defects. As far as wood is concerned, minor knots and differences in shade and structure shall not be regarded as defects. As far as leather is concerned, growth marks shall not be regarded as defects, but as a sign of genuineness. The Vendor's liability shall comprise only such defects as appear within twenty-four (24) months from the date when the goods were delivered to the Buyer. The Buyer shall notify the Vendor in writing of any defects without undue delay after such defects have appeared.

Article 8: Product liability

The Vendor shall be liable for damage to property caused by the products only where it can be shown that such damage was due to fault or negligence on the part of the Vendor or his employees. Under no circumstances shall the Vendor be liable for loss of profits, loss of earnings, or any other consequential financial loss. In the event that the Vendor incurs products liability towards any third party, the Buyer shall indemnify the Vendor to the same extent as the Vendor's liability is limited according to the above. If any third party raises a claim for compensation against the Buyer by reason of a product damage, the Buyer shall forthwith notify the Vendor to this effect.

Article 9: Force majeure

The following circumstances with the Vendor shall give rise to exemption from liability if they prevent the performance of the contract or render such performance unreasonably onerous: Labour conflicts and any other circumstance beyond the control of the Vendor, such as but not limited to fire, war, mobilisation or unforeseen military call-ups of a corresponding scale, requisitioning, seizure, foreign exchange restrictions, insurrection and civil unrest, lack of transportation except where such lack was foreseeable by the Vendor, general scarcity of goods, and defects in or delays of deliveries from suppliers due to any of the factors set forth in this paragraph. Circumstances of the type mentioned above, which had occurred prior to the conclusion of this Agreement, shall exempt the Vendor from liability only where their influence on the performance of the contract could not be foreseen by the Vendor at the time when the contract was made. Where the Vendor intends to invoke any exemption-from-liability grounds set forth in this Article, he shall without undue delay notify the Buyer in writing of such grounds. Notwithstanding any stipulation in these Conditions of Sale and Terms of Delivery, either of the parties may cancel the agreement by notice in writing to the other party where the performance of the agreement is prevented for more than six (6) months by one of the events set forth in this Article.

Article 10: Disputes

All and any disputes arising out of or in connection with this contract shall be settled according to Danish law. Any legal action shall be instituted at the Vendor's or Buyer's venue, at the Vendor's option.

